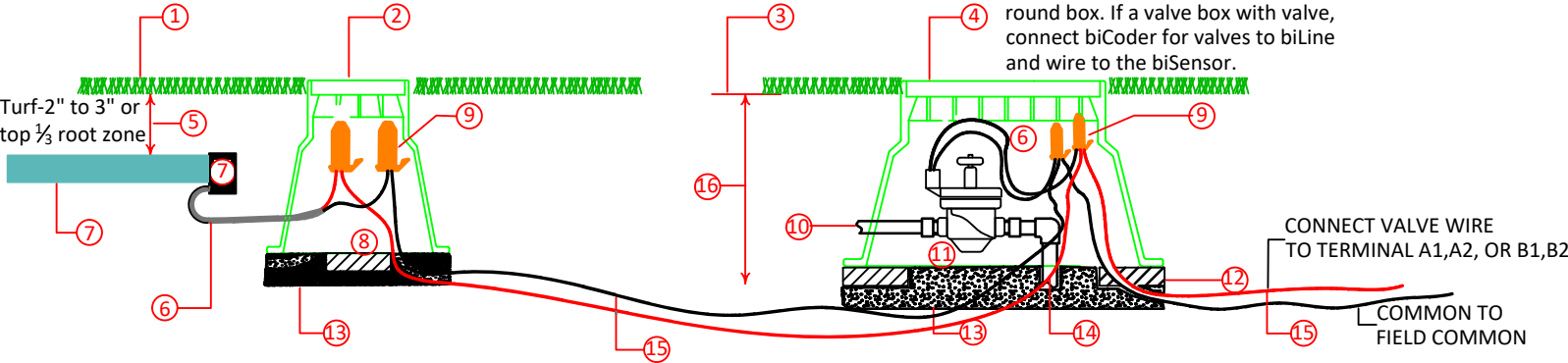


- ① LAWN OR SURFACE TREATMENT
- ② 6" ROUND JUNCTION BOX
- ③ FINISHED GRADE
- ④ RECTANGULAR STANDARD OR JUMBO VALVE BOX AS REQUIRED
- ⑤ BURY DEPTH - biSENSOR
- ⑥ SLEEVED WIRES FROM biSENSOR
- ⑦ *biSENSOR - SET LENGTH HORIZONTALLY AND BLADE IN VERTICAL POSITION WITH SLEEVED WIRES OUT OF BOTTOM*
- ⑧ SUPPORT BLOCK - 2 REQUIRED
- ⑨ ENCAPSULATED IN MOISTURE-RESISTANT SPLICE CAP. 3M DBR/Y-6 OR EQ.
- ⑩ LATERAL - SIZE PER PLANS
- ⑪ 24 VOLT REMOTE CONTROL VALVE
- ⑫ SUPPORT BLOCK - TYPICAL EACH CORNER (4 REQUIRED)
- ⑬ GRANULAR MATERIAL FOR DRAINAGE 2" MINIMUM DEPTH
- ⑭ PRESSURE LINE - SIZE PER PLAN
- ⑮ CONVENTIONAL WIRES - GAUGE AS PER PLAN
- ⑯ 12" WIRE BURY OR PER NEC

NOTE: This box may be a valve box or a round box. If a valve box with valve, connect biCoder for valves to biLine and wire to the biSensor.



BL-5315B biSENSOR SOIL MOISTURE SENSOR

INSTALLATION & WIRING

NTS