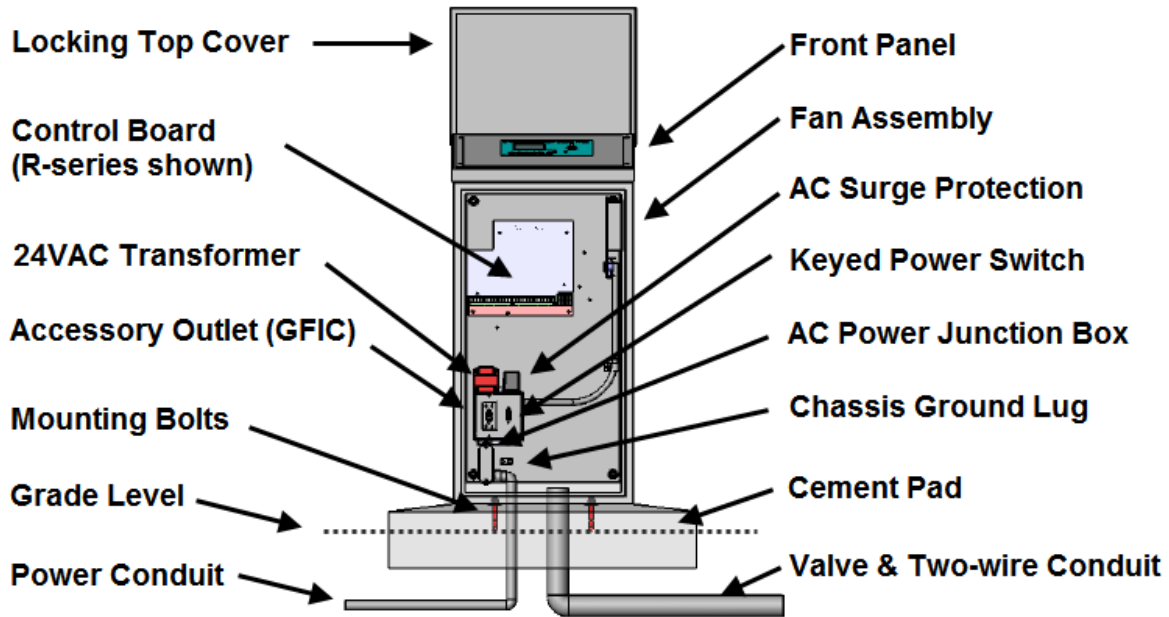


# Baseline P-Series Pedestal Enclosure Installation Guide

## P-Series Pedestal Enclosures

The P-series pedestal units are designed to be mounted on a concrete pad. They come with a template for locating all mounting bolts, AC power, and two-wire and/or valve wire conduits.



## Materials and Tools

- Tools as needed for constructing the concrete form (drill, screwdriver, marker, tape measure, level, etc.)
- Tools as needed for finishing the concrete
- Tools as needed for working with conduit (cutter, etc.)
- 2" x 6" lumber for constructing the concrete form
- Concrete
- Hardware for the electrical power and irrigation wiring (1/2" conduit, wire, wire nuts, etc.) and tools as needed
- Wrench for connecting the mounting bolts

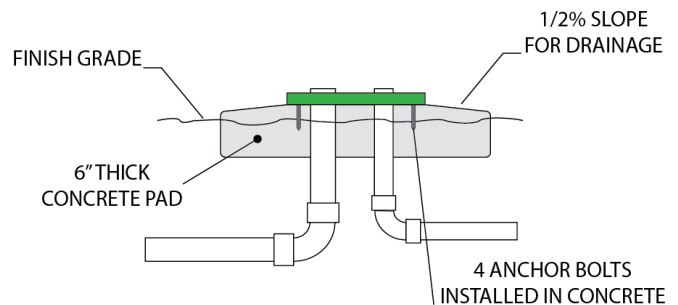
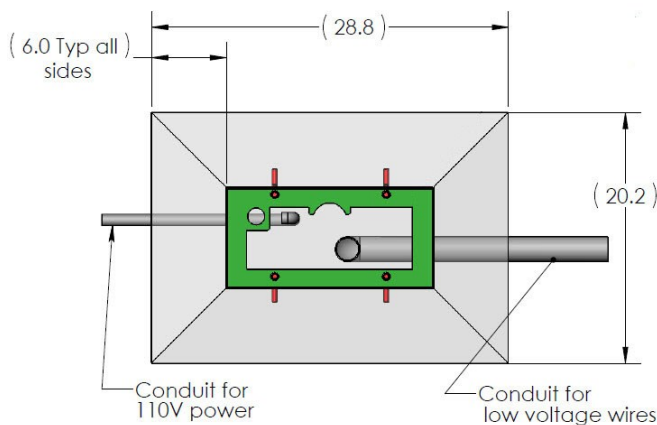


# Baseline P Pedestal Enclosure Installation Guide

## Mounting the Pedestal to the Concrete Pad

The mounting template is attached to the bottom of the pedestal. For shipping purposes, it is attached upside down.

1. Remove the template from the bottom of the pedestal by removing the 4 stainless steel bolts, washers, and nuts that attach it to the bottom of the pedestal.
2. Reattach the 4 stainless steel bolts, washers, and nuts to the template in the exact same direction in which they were removed.
3. Route the conduits for power and valve wiring to the site for the pedestal. Ensure that the conduits extend at least 5 inches above grade and fit within the opening on the template.
4. Build a form for the concrete pad using the dimensions given in the illustrations below.



5. Pour the concrete, and finish the top with a slope for drainage.
6. While the concrete is still wet, turn the template upside down so the heads of the bolts are on the bottom.
7. Position the template in the center of the concrete pad, and then push the stainless steel bolts into the wet concrete until the template touches the surface of the concrete. The template should form a smooth, flat surface for the enclosure to bolt onto.
8. After the concrete completely dries, remove the template. Set the washers and nuts aside.
9. Ensure that the surface of the concrete is clean, flat, and smooth.
10. Position the mounting holes on the bottom of the pedestal onto the stainless steel bolts, and then use the washers and nuts to secure the pedestal to the concrete pad.
11. Connect the electrical wiring and the irrigation wiring.

