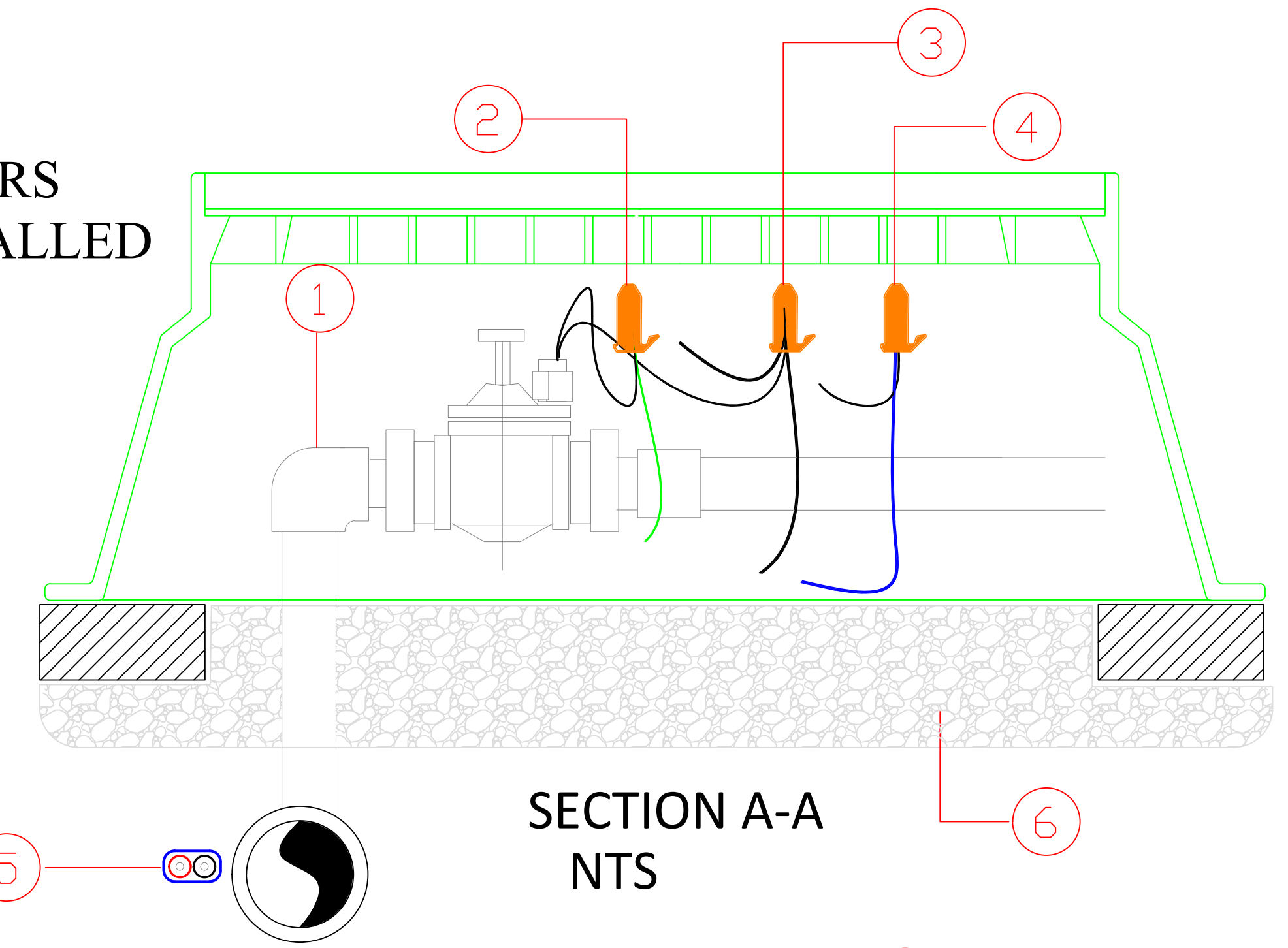
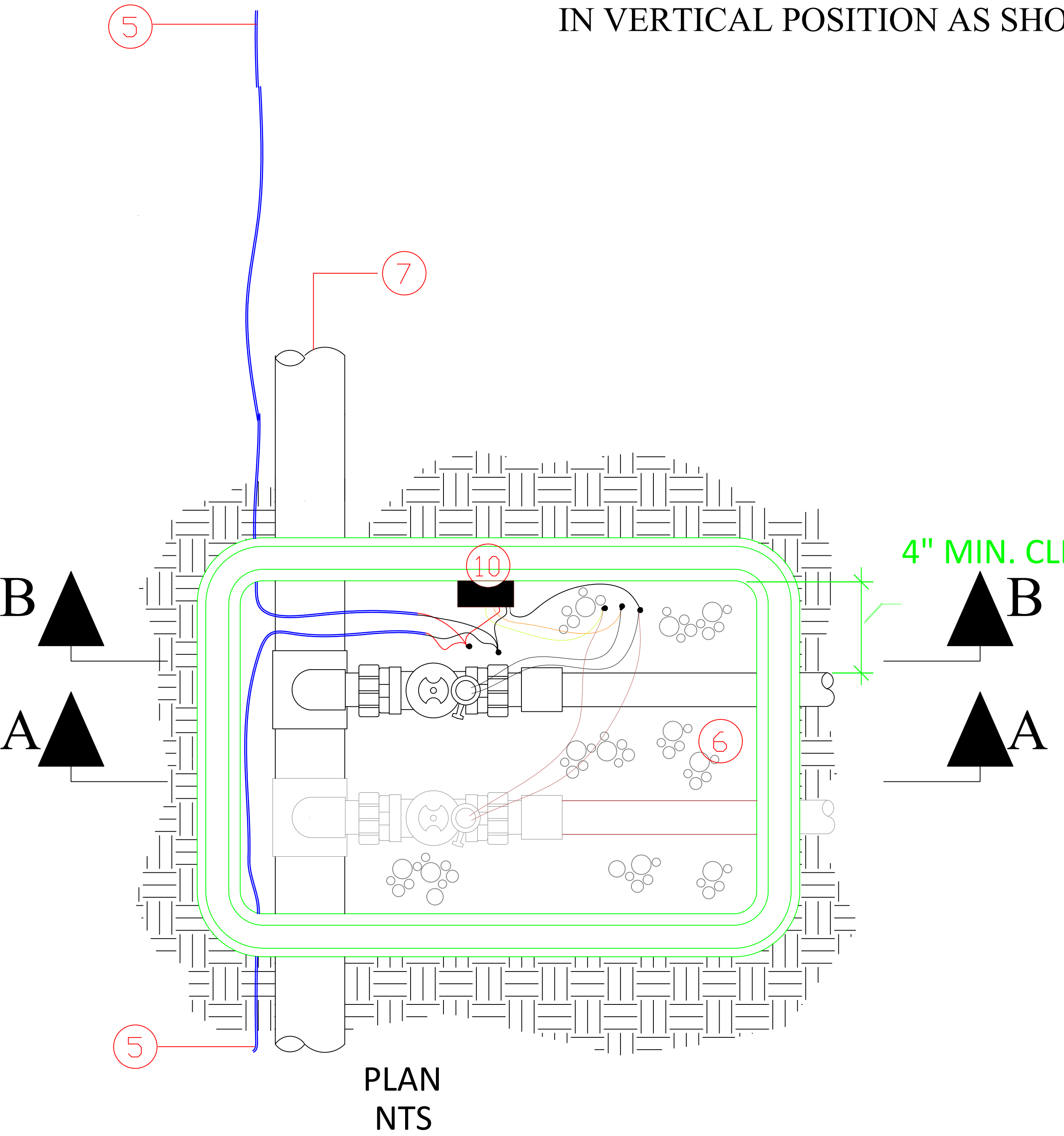
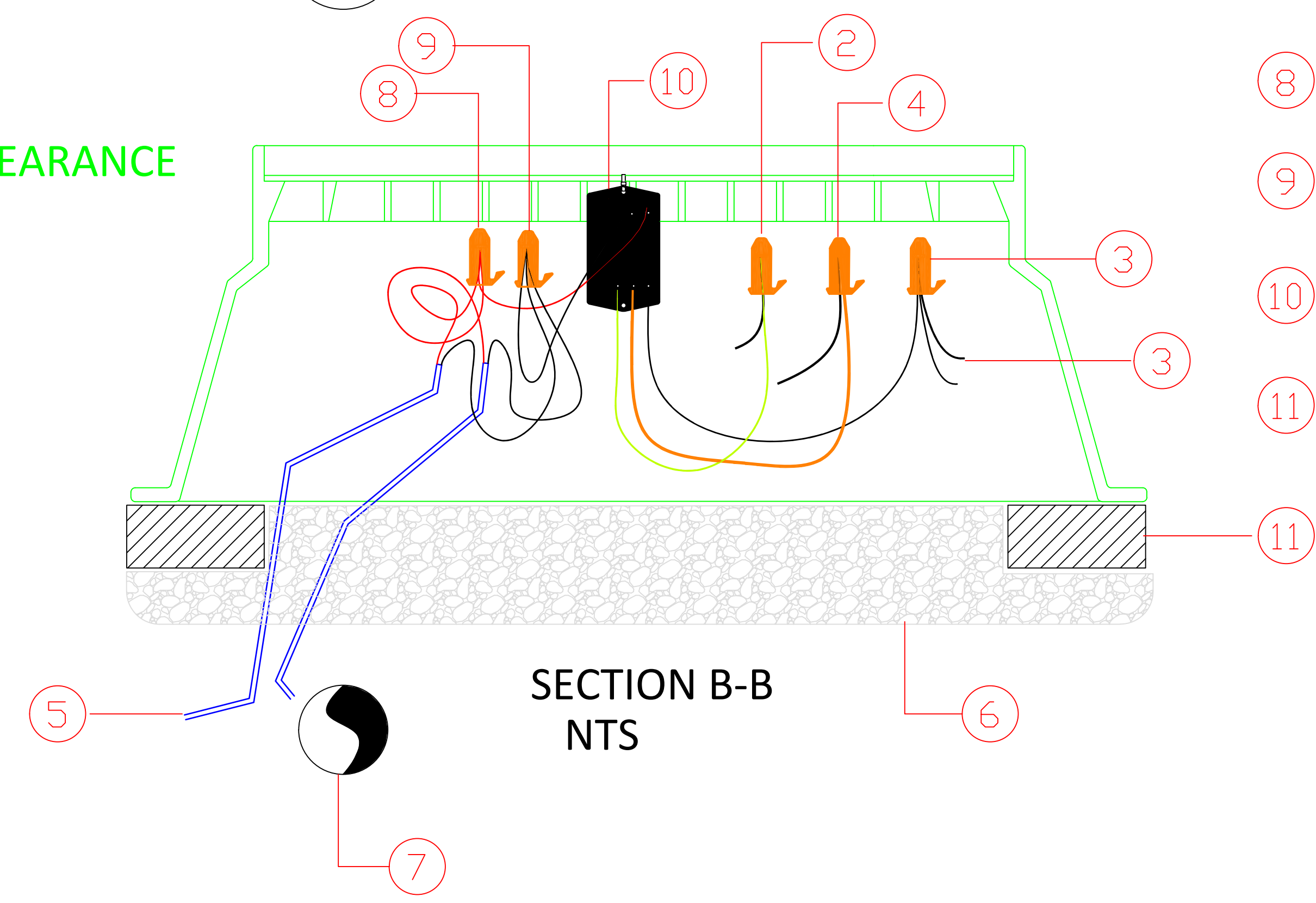


NOTE: MOISTURE-RESISTANT CONNECTORS  
3M DBR/Y-6 OR EQUAL TO BE INSTALLED  
IN VERTICAL POSITION AS SHOWN.



- ① VALVE AND PIPING PER PLANS
- ② MOISTURE-RESISTANT CONNECTION TO VALVE #2 (DBR/Y-6 OR EQ.)
- ③ MOISTURE-RESISTANT CONNECTION FOR COMMON WIRES FOR VALVES #1 & #2 (DBR/Y-6 OR EQ.)
- ④ MOISTURE-RESISTANT CONNECTION TO VALVE #1 (DBR/Y-6 OR EQ.)
- ⑤ TWO-WIRE - GAUGE PER PLANS
- ⑥ POROUS MATERIAL FOR DRAINAGE - 3" MINIMUM
- ⑦ MAINLINE AS PER PLANS
- ⑧ TWO-WIRE RED TO RED *biCODER* MOISTURE-RESISTANT CONNECTION (DBR/Y-6 OR EQ.)
- ⑨ TWO-WIRE BLACK TO *biCODER* BLACK MOISTURE-RESISTANT CONNECTION (DBR/Y-6 OR EQ.)
- ⑩ BASELINE BL-5202 VALVE *biCODER* - ATTACH TO VALVE BOX WITH TIE OR METAL SCREW
- ⑪ CORNER VALVE BOX SUPPORT (TYPICAL OF FOUR)



# BASELINE BL-5202 VALVE *biCODER* INSTALLATION

NTS