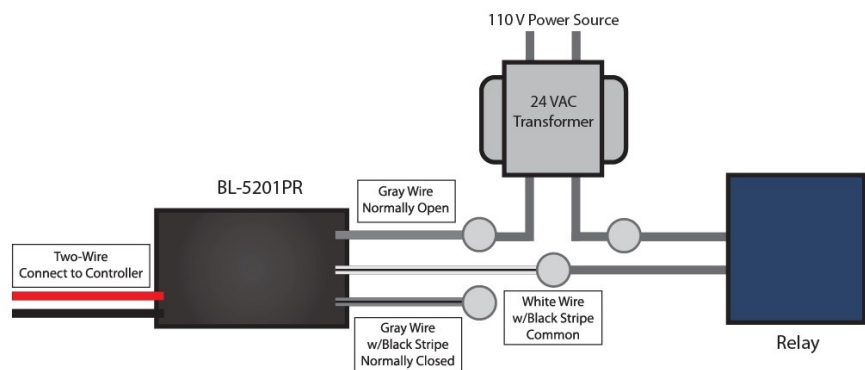


BL-5201PR Pump Start/Stop biCoder Installation Guide

Instructions for Using the BL-5201PR to Turn On a Pump Relay — Activating a Normally Open Relay

1. Connect the red and black wires on the biCoder to the red and black wires from the two-wire path that connects to the controller. Polarity matters! All connections must have 3M™ DBR/Y-6 or equivalent connectors.
2. Connect the gray wire from the BL-5201PR biCoder to one wire from the 24VAC transformer.
3. Connect the other wire from the transformer to the relay.
4. Connect the white wire with the black stripe from the BL-5201PR biCoder to the common wire on the relay.
5. Cap the gray wire with the black stripe.
6. Configure the BL-5201PR in the controller.



Using a BL-5201PR to turn a Pump Relay On

Wire Descriptions

- Red and black wires: Connect to the two-wire path
- Gray wire: Normally open wire that is used to turn a relay on or to close a switch
- Gray wire with the black stripe: Normally closed wire that is used to turn off a relay or to open a switch
- White wire with the black stripe: Common wire

The BL-5201PR biCoder can also be used to for the following:

- Turn off a relay
- Open a switch
- Close a switch

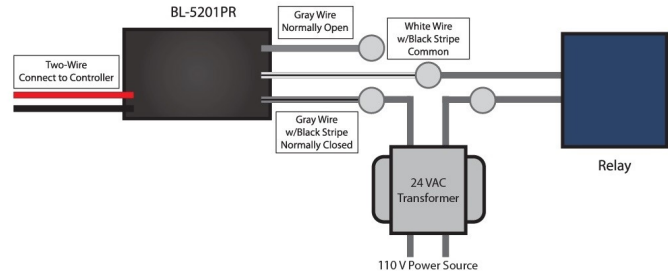
Refer to the instructions on the back page for installation instructions for these alternate uses.



BL-5201PR Pump Start/Stop biCoder Installation Guide

Using the BL-5201PR to Turn Off a Relay — Activating a Normally Closed Relay

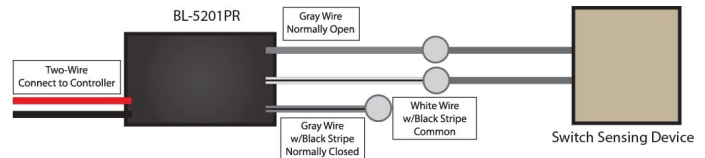
1. Connect the red and black wires on the biCoder to the red and black wires from the two-wire path that connects to the controller. Polarity matters! All connections must have 3M™ DBR/Y-6 or equivalent connectors.
2. Connect the gray wire with the black stripe from the BL-5201PR biCoder to one wire from the 24VAC transformer. Connect the other wire from the transformer to the relay.
3. Connect the white wire with the black stripe from the BL-5201PR biCoder to the common wire on the relay.
4. Cap the gray wire.
5. Configure the BL-5201PR in the controller.



Using a BL-5201PR to turn a Pump Relay Off

Using the BL-5201PR to Close a Switch

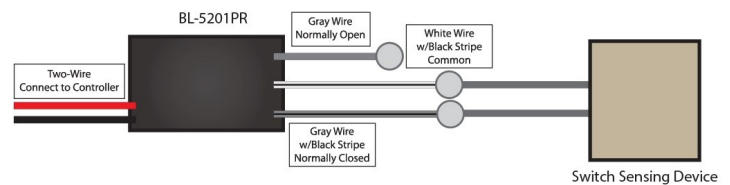
1. Connect the red and black wires on the biCoder to the red and black wires from the two-wire path that connects to the controller. Polarity matters! All connections must have 3M™ DBR/Y-6 or equivalent connectors.
2. Connect the gray wire from the BL-5201PR biCoder to one side of the switch.
3. Connect the white wire with the black stripe from the BL-5201PR biCoder to the other side of the switch.
4. Cap the gray wire with the black stripe.
5. Configure the BL-5201PR in the controller.



Using a BL-5201PR to Close a Switch

Using the BL-5201PR to Open a Switch

1. Connect the red and black wires on the biCoder to the red and black wires from the two-wire path that connects to the controller. Polarity matters! All connections must have 3M™ DBR/Y-6 or equivalent connectors.
2. Connect the gray wire with the black stripe from the BL-5201PR biCoder to one side of the switch.
3. Connect the white wire with the black stripe from the BL-5201PR biCoder to the other side of the switch.
4. Cap the gray wire.
5. Configure the BL-5201PR in the controller.



Using a BL-5201PR to Open a Switch